

Contact Layout

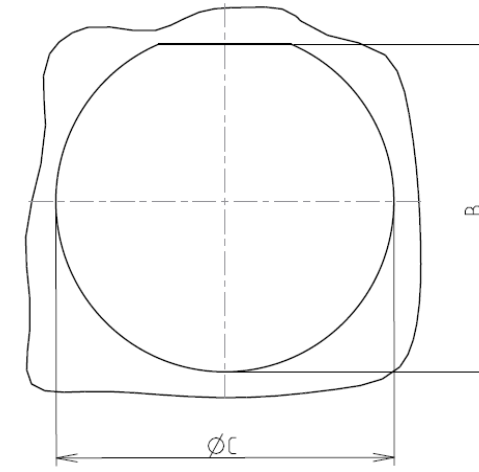


Contacts (Insert arrangement 25-61)					
Contact position ID	Location		Contact position ID	Location	
	X-axis (mm)	Y-axis (mm)		X-axis (mm)	Y-axis (mm)
A	+196 (4.98)	+500 (12.70)	j	+251 (6.38)	-314 (7.98)
B	+314 (7.98)	+435 (11.05)	k	+133 (3.38)	-379 (9.63)
C	+413 (10.49)	+343 (8.71)	l	+000 (0.00)	-402 (10.21)
D	+485 (12.32)	+230 (5.84)	m	-133 (3.38)	-379 (9.63)
E	+527 (13.39)	+101 (2.57)	n	-251 (6.38)	-314 (7.98)
F	+536 (13.61)	-030 (0.76)	o	-341 (8.66)	-213 (5.41)
G	+511 (12.98)	-164 (4.17)	p	-392 (9.96)	-088 (2.24)
H	+454 (11.53)	-287 (7.29)	q	-399 (10.13)	+046 (1.17)
J	+368 (9.35)	-391 (9.93)	r	-362 (9.19)	+175 (4.45)
K	+259 (6.58)	-470 (11.94)	s	-285 (7.24)	+283 (7.19)
L	+134 (3.40)	-519 (13.18)	t	-173 (4.39)	+363 (9.22)
M	+000 (0.00)	-537 (13.64)	u	+000 (0.00)	+338 (8.59)
N	-134 (3.40)	-519 (13.18)	v	+147 (3.73)	+223 (5.66)
P	-259 (6.58)	-470 (11.94)	w	+237 (6.02)	+122 (3.10)
R	-368 (9.35)	-391 (9.93)	x	+267 (6.78)	-010 (0.25)
S	-454 (11.53)	-287 (7.29)	y	+228 (5.79)	-139 (3.53)
T	-511 (12.98)	-164 (4.17)	z	+131 (3.33)	-233 (5.92)
U	-536 (13.61)	-030 (0.76)	AA	+000 (0.00)	-267 (6.78)
V	-527 (13.39)	+101 (2.57)	BB	-131 (3.33)	-233 (5.92)
W	-485 (12.32)	+230 (5.84)	CC	-228 (5.79)	-139 (3.53)
X	-413 (10.49)	+343 (8.71)	DD	-267 (6.78)	-010 (0.25)
Y	-314 (7.98)	+435 (11.05)	EE	-237 (6.02)	+122 (3.10)
Z	-196 (4.98)	+500 (12.70)	FF	-147 (3.73)	+223 (5.66)
a	-068 (1.73)	+454 (11.53)	GG	+000 (0.00)	+200 (5.08)
b	+068 (1.73)	+454 (11.53)	HH	+105 (2.67)	+094 (2.39)
c	+173 (4.39)	+363 (9.22)	IJ	+135 (3.43)	-041 (1.04)
d	+285 (7.24)	+283 (7.19)	KK	+000 (0.00)	-132 (3.35)
e	+362 (9.19)	+175 (4.45)	LL	-135 (3.43)	-041 (1.04)
l	+399 (10.13)	-046 (1.17)	MM	-105 (2.67)	+094 (2.39)
g	+392 (9.96)	-088 (2.24)	NN	+000 (0.00)	+000 (0.00)
h	+341 (8.66)	-213 (5.41)	PP	---	---

Shell size	Arrangement no.	Number of contacts	Size contacts	Service rating	Contact location	Supersedes
25	-61	61	20	I	All	MS20057-61

Panel cutout

JAM NUT RECEPTACLE (TYPE 7)



Dim	Nominal
B	43.43+0/-0.25
ØC	44.7+0.25/-0

SOURIAU shall not be liable for any non-conformity or damage due to a use of the Products which does not comply with the Specifications issued by either of the Parties or by a third party (professional recommendation, technical notice.)

Country	Jurisdiction & Control List
FR	Not Listed

PN: 8D725S61BD

A	04-10-2016	First Release	
ISS	DATE	Latest modification - by	MOD N°
Designed By:		Date:	CUSTOMER DRAWING
TITLE		Stainless Steel Receptacle 8D series	
SCALE		General linear Tolerances:	NPRDS / PROJECT
NA		±--	859
SOURIAU		WWW.SOURIAU.COM	
		This document is the property of SOURIAU it must not be reproduced or communicated without permission	
FORMAT	SOURIAU DRG N°		SHEET
A3	8D725S61BD-C		2/2