



LAYOUT SHOWN AS EXAMPLE

Keying Shown as example

**CHARACTERISTICS**

- Standard : Based on MIL-DTL-38999 Series III
- Shell Material : Aluminium
- Shell Plating : Nickel
- Insulator : Thermoplastic
- Contacts : Copper Alloy
- Seals & Grommet : Silicon Elastomer
- Contact Plating : Gold over copper Alloy 0.8µm minimum
- Durability : 500 Mating cycles
- Delivered with Souriau contacts and Accessories
- Temperature Range : -65°C to +200°C
- Salt Spray : 48 hours
- Mass : 48.6 g ± 10%

Connector dimension	
Dim	Nominal
A	44.5±0.3
B	30.15+0.1/-0.15
R	32.5Max
S	41.3±0.4
W	2.2+0.9/-0.1
VV THREAD	M25x1-6g

SOURIAU shall not be liable for any non-conformity or damage due to a use of the Products which does not comply with the Specifications issued by either of the Parties or by a third party (professional recommendation, technical notice.)

Country	Jurisdiction & Control List
FR	Not Listed

**PN: 8D717F06BD**

A	30-09-2016	First Release	
ISS	DATE	Latest modification - by	MOD N°
Designed By:		Date:	<b>CUSTOMER DRAWING</b>

<b>TITLE</b>	Aluminium Receptacle 8D series		
SCALE	General linear Tolerances: ±--	NPRDS / PROJECT	
NA		<b>859</b>	

<b>SOURIAU</b>	<b>WWW.SOURIAU.COM</b>	This document is the property of SOURIAU it must not be reproduced or communicated without permission	
----------------	------------------------	---	--

FORMAT	<b>SOURIAU DRG N° 8D717F06BD-C</b>		SHEET
<b>A3</b>			1/2

**BASIC SERIES:** 8D | 7 | - | 17 | F | 06 | B | D

SHELL TYPE : Jam nut Receptacle

CONTACT TYPE : Standard Crimp Contact

SHELL SIZE : 17

PLATING : F = Nickel

ORIENTATION : D

CONTACT TYPE : SOCKET(500 Matings)

CONTACT LAYOUT : 17-06

Contact Layout

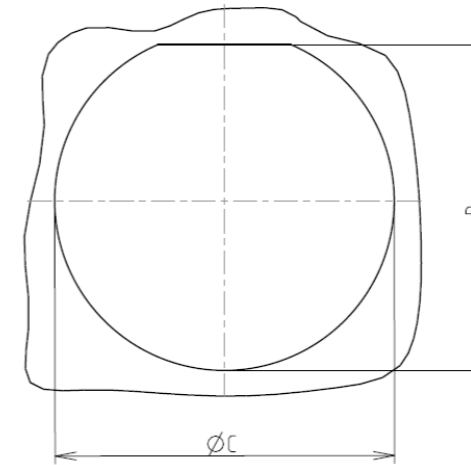


Contacts (Insert arrangement 17-6)		
Contact position ID	Location	
	X-axis (mm)	Y-axis (mm)
A	+121 (3.07)	+209 (5.31)
B	+241 (6.12)	+000 (0.00)
C	+000 (0.00)	-241 (6.12)
D	-241 (6.12)	+000 (0.00)
E	-121 (3.07)	+209 (5.31)
F	+000 (0.00)	+000 (0.00)

Shell size	Arrangement no.	Number of contacts	Size contacts	Service rating	Contact location	Supersedes
17	-6	6	12	I	All	MS20053-6

Panel cutout

JAM NUT RECEPTACLE (TYPE 7)



Dim	Nominal
B	30.73+0/-0.25
ØC	32.01+0.25/-0

SOURIAU shall not be liable for any non-conformity or damage due to a use of the Products which does not comply with the Specifications issued by either of the Parties or by a third party (professional recommendation, technical notice.)

Country	Jurisdiction & Control List
FR	Not Listed

PN: 8D717F06BD

A	30-09-2016	First Release	
ISS	DATE	Latest modification - by	MOD N°
Designed By:		Date:	<b>CUSTOMER DRAWING</b>
<b>TITLE</b>	Aluminium Receptacle 8D series		
SCALE		General linear Tolerances: ±--	NPRDS / PROJECT <b>859</b>
<b>SOURIAU</b>	<b>WWW.SOURIAU.COM</b>		This document is the property of SOURIAU it must not be reproduced or communicated without permission
FORMAT <b>A3</b>	<b>SOURIAU DRG N° 8D717F06BD-C</b>		SHEET 2/2