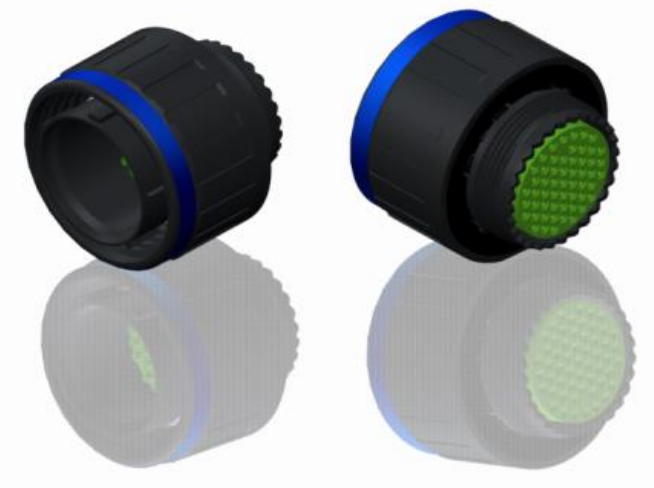
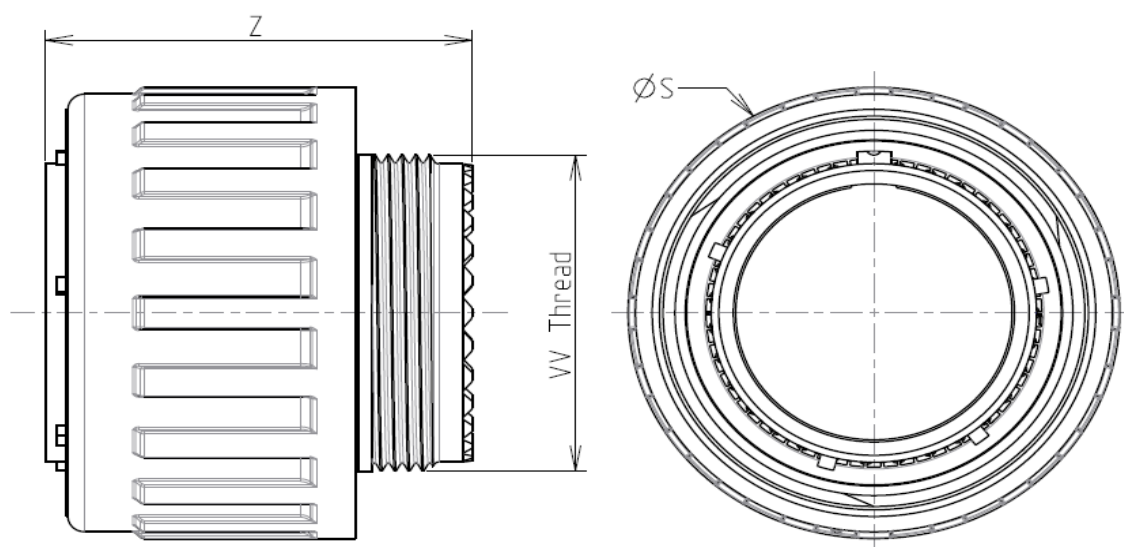


H G F E D C B A



LAYOUT SHOWN AS EXAMPLE

Keying Shown as example

CHARACTERISTICS

- Standard : Based on MIL-DTL-38999 Series III
- Shell Material : Composite
- Shell Plating : Without Plating
- Insulator : Thermoplastic
- Contacts : Copper Alloy
- Seals & Grommet : Silicon Elastomer
- Contact Plating : Gold over copper Alloy 0.8µm minimum
- Durability : 500 Mating cycles
- Delivered with Souriau contacts and Accessories
- Temperature Range : -65°C to +175°C
- Salt Spray : 2000 hours
- Mass : 12.5 g ± 10%

Connector dimension	
Dim	Nominal
ØS	25 Max
Z	31 Max
VV THREAD	M15x1-6g

SOURIAU shall not be liable for any non-conformity or damage due to a use of the Products which does not comply with the Specifications issued by either of the Parties or by a third party (professional recommendation, technical notice.)

Country	Jurisdiction & Control List
FR	Not Listed

PN: 8D511X98AN

A	18-10-2016	First Release	
ISS	DATE	Latest modification - by	MOD N°
Designed By:		Date:	CUSTOMER DRAWING
TITLE		Composite Plug 8D series	
SCALE	NA	General linear Tolerances: ±--	NPRDS / PROJECT 859
SOURIAU		WWW.SOURIAU.COM	
This document is the property of SOURIAU it must not be reproduced or communicated without permission			
FORMAT	SOURIAU DRG N° 8D511X98AN-C		SHEET 1/2

BASIC SERIES:	8D	5	-	11	X	98	A	N
SHELL TYPE	: Plug with RFI Shielding							
CONTACT TYPE	: Standard Crimp Contact							
SHELL SIZE	: 11							
PLATING	: X = Without Plating							
							ORIENTATION	: N
							CONTACT TYPE	: PIN(500 Matings)
							CONTACT LAYOUT	: 11-98

H G F E D C B A

Contact Layout



Contacts (Insert arrangement 11-98)		
Contact position ID	Contact location	
	X-axis (mm)	Y-axis (mm)
A	+000 (0.00)	+130 (3.30)
B	+130 (3.30)	+000 (0.00)
C	+065 (1.65)	-113 (2.87)
D	-065 (1.65)	-113 (2.87)
E	-130 (3.30)	+000 (0.00)
F	+000 (0.00)	+000 (0.00)

Shell size	Arrangement no.	Number of contacts	Size contacts	Service rating	Contact location	Supersedes
11	-98	6	20	I	All	MS20050-98

SOURIAU shall not be liable for any non-conformity or damage due to a use of the Products which does not comply with the Specifications issued by either of the Parties or by a third party (professional recommendation, technical notice.)

Country	Jurisdiction & Control List
FR	Not Listed

PN: 8D511X98AN

A	18-10-2016	First Release	
ISS	DATE	Latest modification - by	MOD N°
Designed By:		Date:	CUSTOMER DRAWING
TITLE	Composite Plug 8D series		
SCALE		General linear Tolerances: ±--	NPRDS / PROJECT 859
SOURIAU	WWW.SOURIAU.COM		This document is the property of SOURIAU it must not be reproduced or communicated without permission
FORMAT	SOURIAU DRG N° 8D511X98AN-C		SHEET 2/2