

LAYOUT SHOWN AS EXAMPLE

Keying Shown as example

CHARACTERISTICS

- Standard : Based on MIL-DTL-38999 Series III
- Shell Material : Composite
- Shell Plating : Without Plating
- Insulator : Thermoplastic
- Contacts : Copper Alloy
- Seals & Grommet : Silicon Elastomer
- Contact Plating : Gold over copper Alloy 0.8µm minimum
- Durability : 500 Mating cycles
- Delivered with Souriau contacts and Accessories
- Temperature Range : -65°C to +175°C
- Salt Spray : 2000 hours

Connector dimension	
Dim	Nominal
P	3.25±0.2
PP	4.93±0.2
R1	29.36
R2	26.97
S	36.5±0.3
V	20.83+0/-1.25
W	2.1/2.5
Z	31.5 Max
VV THREAD	M28x1-6g

SOURIAU shall not be liable for any non-conformity or damage due to a use of the Products which does not comply with the Specifications issued by either of the Parties or by a third party (professional recommendation, technical notice.)

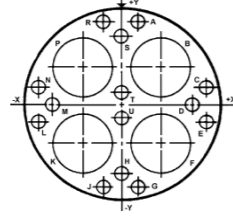
Country	Jurisdiction & Control List
FR	Not Listed

PN: 8D019X18BA

A	02-11-2016	First Release	
ISS	DATE	Latest modification - by	MOD N°
Designed By:		Date:	CUSTOMER DRAWING
TITLE		Composite Receptacle 8D series	
SCALE	NA	General linear Tolerances: ±--	NPRDS / PROJECT 859
SOURIAU		WWW.SOURIAU.COM	
This document is the property of SOURIAU it must not be reproduced or communicated without permission			
FORMAT	SOURIAU DRG N° 8D019X18BA-C		SHEET 1/2

BASIC SERIES:	8D	0	-	19	X	18	B	A
SHELL TYPE	: Square Flange Receptacle							
CONTACT TYPE	: Standard Crimp Contact							
SHELL SIZE	: 19							
PLATING	: X = Without Plating							
							ORIENTATION : A	
							CONTACT TYPE : SOCKET(500 Matings)	
							CONTACT LAYOUT : 19-18	

Contact Layout

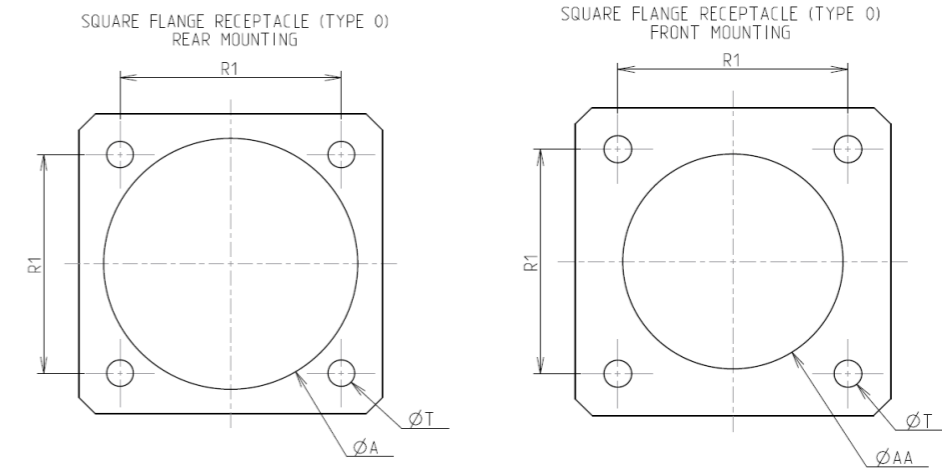


(Inactive for new design for MIL-DTL-38999. For new design, use arrangement no. 19-19.)

Contacts (Insert arrangement 19-18)						
Contact position ID	Location		Contact position ID	Location		Standard contact
	X-axis (mm)	Y-axis (mm)		X-axis (mm)	Y-axis (mm)	
A	+068 (1.73)	+380 (9.65)	K	-180 (4.57)	-180 (4.57)	M39029/90-529
B	+180 (4.57)	+180 (4.57)	L	-377 (9.58)	-065 (1.65)	
C	+377 (9.58)	+065 (1.65)	M	-317 (8.05)	+000 (0.00)	M39029/58
D	+317 (8.05)	+000 (0.00)	N	-377 (9.58)	+065 (1.65)	
E	+377 (9.58)	-065 (1.65)	P	-180 (4.57)	+180 (4.57)	M39029/91-530
F	+180 (4.57)	-180 (4.57)	R	-068 (1.73)	+380 (9.65)	
G	+068 (1.73)	-380 (9.65)	S	+000 (0.00)	+319 (8.10)	M39029/56
H	+000 (0.00)	-319 (8.10)	T	+000 (0.00)	+044 (1.12)	
J	-068 (1.73)	-380 (9.65)	U	+000 (0.00)	-044 (1.12)	

Shell size	Arrangement No.	Number of contacts	Size contacts	Service rating	Contact location	Standard contact	
						Pin	Socket
19	18	4	8 (see note)	Twinax	B, F, K, P	M39029/90-529	M39029/91-530
		14	22D	M	All others	M39029/58	M39029/56

Panel Cutout



Dim	Nominal
ØA	32.94 min
ØAA	28.98 min
R1	29.36
ØT	3.25 ±0.13

SOURIAU shall not be liable for any non-conformity or damage due to a use of the Products which does not comply with the Specifications issued by either of the Parties or by a third party (professional recommendation, technical notice.)

Country	Jurisdiction & Control List
FR	Not Listed

PN: 8D019X18BA

A	02-11-2016	First Release	
ISS	DATE	Latest modification - by	MOD N°
Designed By:		Date:	CUSTOMER DRAWING
TITLE	Composite Receptacle 8D series		
SCALE		General linear Tolerances: ±--	NPRDS / PROJECT 859
NA			
SOURIAU	WWW.SOURIAU.COM		This document is the property of SOURIAU it must not be reproduced or communicated without permission
FORMAT	SOURIAU DRG N° 8D019X18BA-C		SHEET 2/2