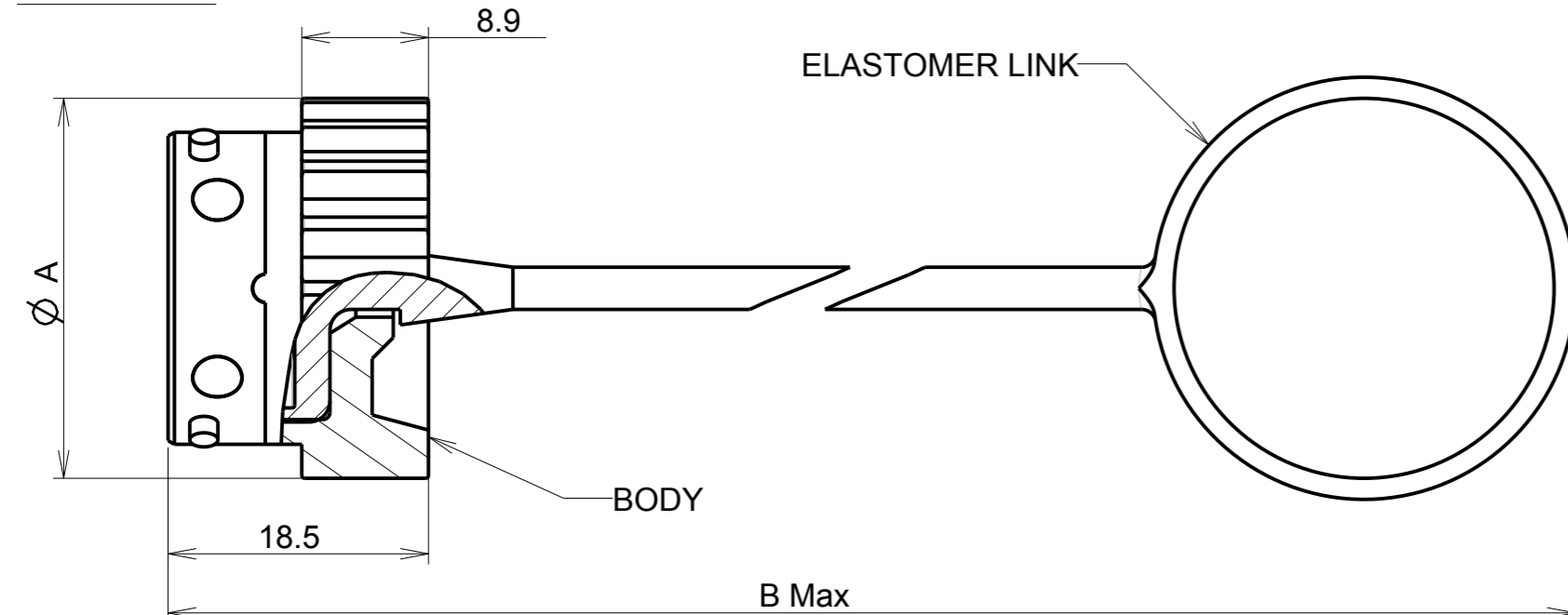
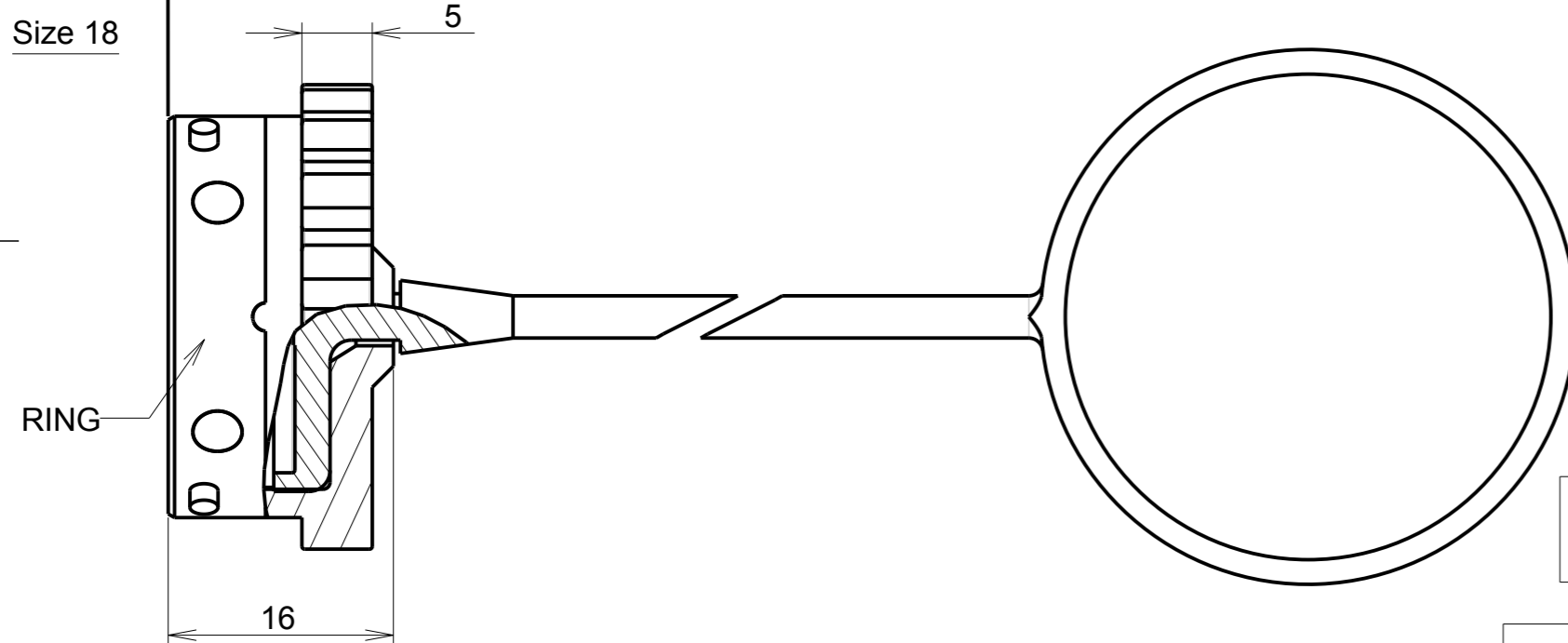


d:0;RL

Size 10-12-14



Size 18



MATERIAL:

Body : Glass filled polyester

Ring : CuZn Alloy Ni plated

Elastomer link : Elastomer

NOTES :

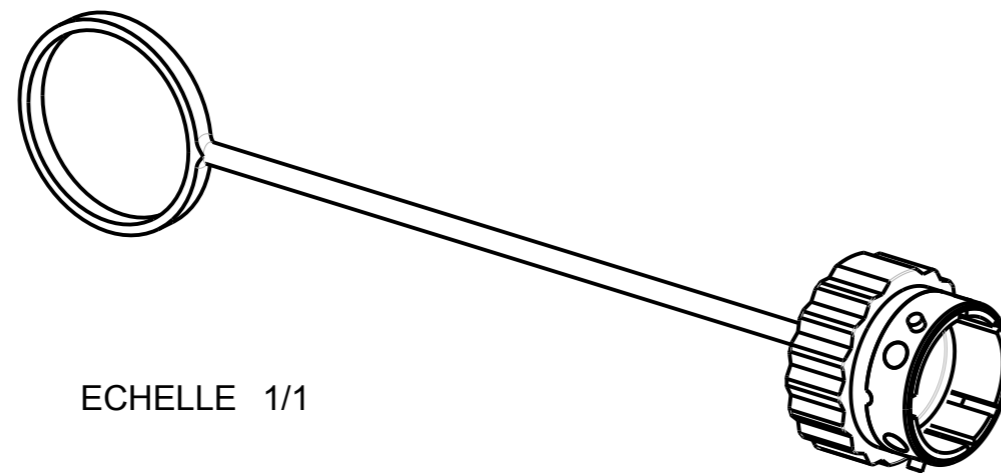
-Operating temperature : -40° up to +105°

-This cap is a water and dust protected version.

-Level sealing : IP68 (1bar during 1 week)

PART NUMBER	Ø A	B max
UTS610DCG	19.5	152 max.
UTS612DCG	23.5	156 max.
UTS614DCG	27	159 max.
UTS618DCG	33	167 max.

P/N : UTS6XXDCG



ECHELLE 1/1

d	26/08/13	Modification of cap design for size 10-12-14		
ISS	DATE	Latest modification - by: ROUILLARD		MOD N°
Designed by: <i>SORIN.V</i>		Date: 07/04/06	CUSTOMER DRAWING	
TITLE		UTS PLUG SEALING CAP		
Scale	2/1	General linear Tolerances: ± 0.3	NPRDS / PROJECT UTS1	
SOURIAU		WWW.SOURIAU.COM		This document is the property of SOURIAU It must not be reproduced or communicated without permission
FORMAT	A3	SOURIAU DRG N° C004-UTS1-A		SHEET 1/1

NOT EXPORT CONTROLLED