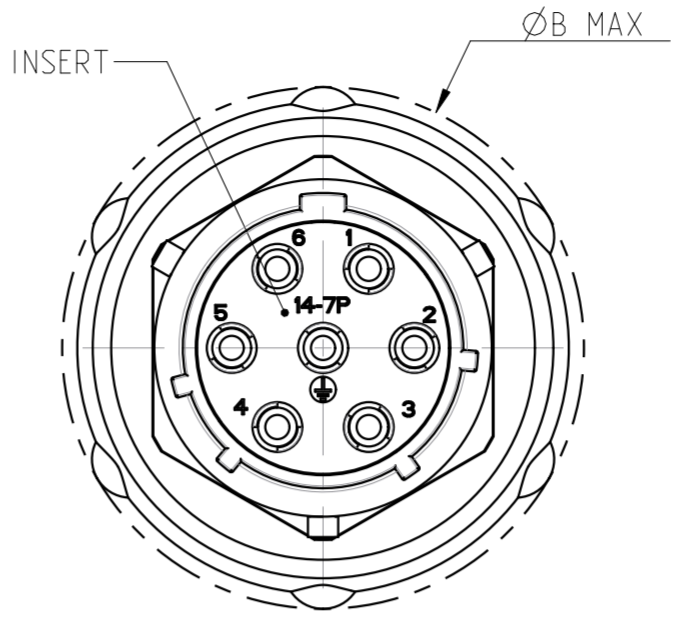
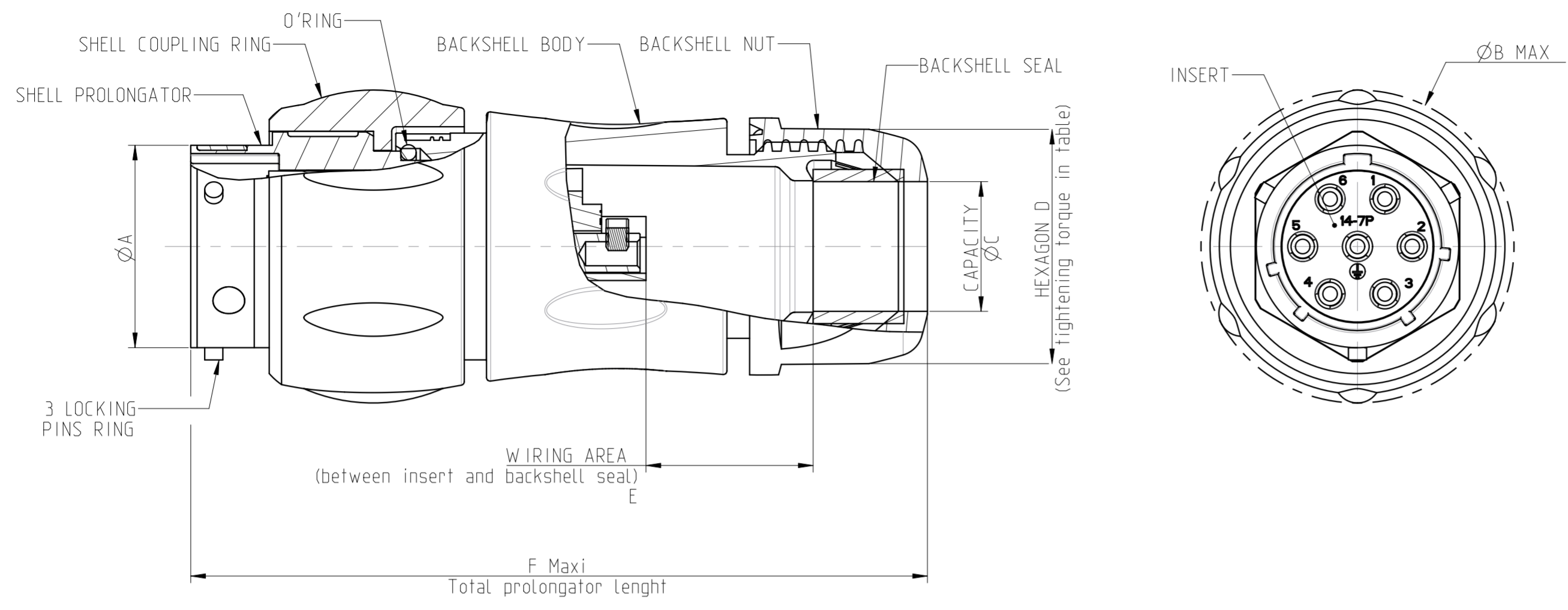


A-2: Validé

COMMON DIMENSIONS FOR ALL SIZE  
UTGX1JC-----P



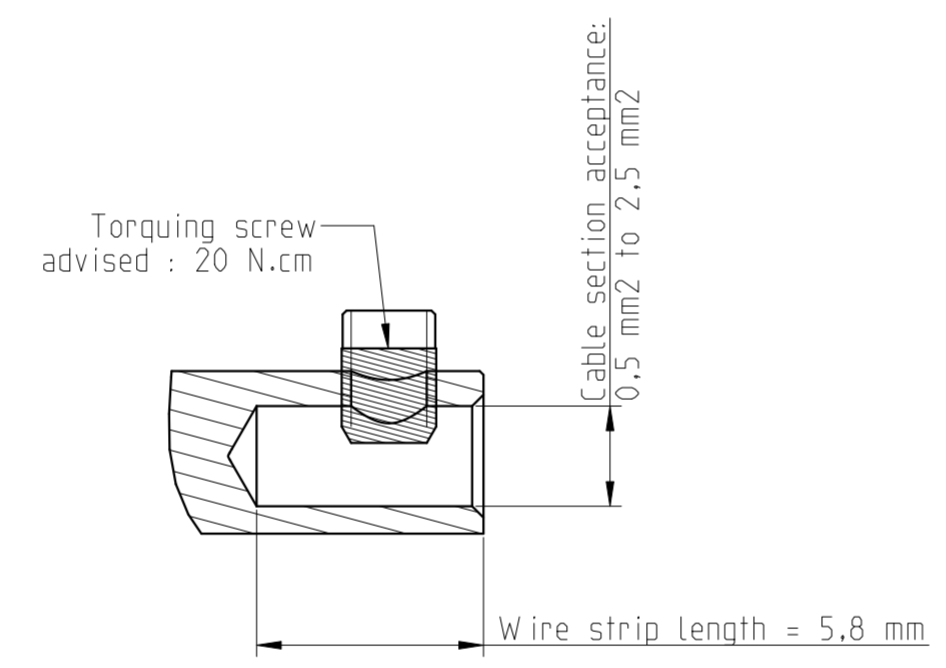
- MATERIAL :**
- SHELLS : PA UL94 V0, UL746C F1 Black color
  - 3 LOCKING PINS RING : Nickel plated Brass + stainless Steels
  - INSERT : PA UL94 V0, UL746C F1
  - BACKSHELLS : PA UL94 V0 F1 Black color
  - BACKSHELL Seal : CR
  - O'RING : Nitril
  - CONTACT SPRING: copper alloy
  - CONTACT BODY : brass, gold and nickel plated
  - SCREW : stainless steel

- PERFORMANCE CHARACTERISTICS :**
- Operating temperature: -40°C up to 105°C
  - Insulation resistance: 5000 MΩmin under 500V
  - Corrosion salt spray: 500 hours
  - Durability: 500 matings and unmatings
  - Sealing in mated conditions with counterpart:
    - IP6x : No ingress of dust
    - IPx8 1 bar during 1 week : immersion under 10 m of water. (IEC60529)
    - IPx9K : exposure to high pressure water of cleaning equipment (IEC60529)

**NOTA:**

- 1- This part shall be used at the place of the standard seal to accomodate with different cable Ø
- 2- Plug, backshell and the reducing seal are delivered as a kit. The backshell already includes the standard seal

DETAIL CONTACT

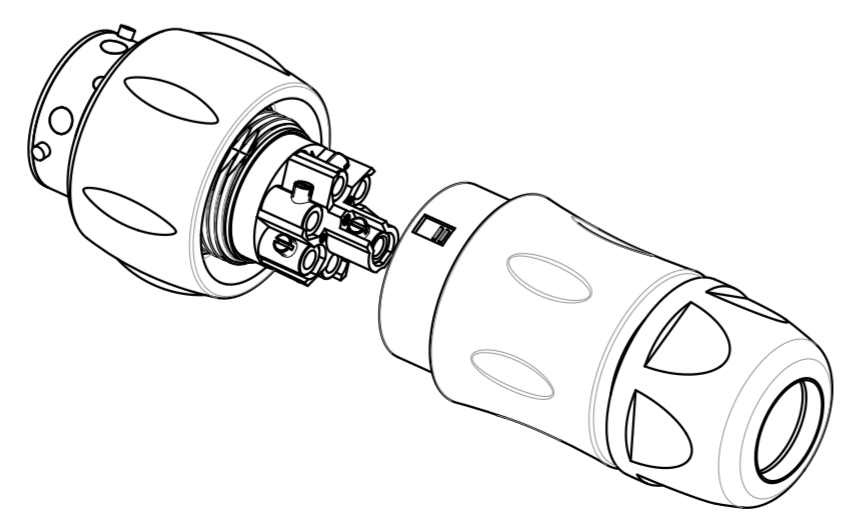


Country	Jurisdiction & Control List
FR	NOT LISTED

P/N : CROSS REF TABLE

BASIC SERIES	UTGX	1	JC	14	7	P	SCR	* P/N for example  SCREW TERMINATION  TYPE OF CONTACTS P: MALE ONLY
SHELL TYPE	1	Free hanging prolongator						
BACKSHELL	JC							
SHELL SIZE	12 14							
INSERT ARRANGEMENT	12-4 14-7							

SHELL SIZE	±0.2	MAX	STANDARD	REDUCING SEAL (NOTA.1)	HEXAGON backshell nut	MINI	MAX	±10% (g.)	
	ØA	ØB	ØC		D	Tightening torque (N.m)	E	F	MASS
12	19.15	30.1	5 / 12	3 / 9	24	2	19.5	78	42
14	22.31	35.1	7 / 14	5 / 12	26	2.5	17.2	84	62



SOURIAU shall not be liable for any non-conformity or damage due to a use of the Products which does not comply with the Specifications issued by either of the Parties or by a third party (professional recommendation, technical notice..)

A	04/02/2021	-New drawing	--
ISS	DATE	Latest modification - by:	--
Designed by:		J.FEURPRIER Date:04/02/2021	CUSTOMER DRAWING
TITLE		FREE HANGING RECEPTACLE Type 1, SIZE 12 14 - SCREW TERMINATION UTGX CONNECTOR	
Scale	2/1	Dimensions in mm General Linear Tolerances: ± 0.2	NPRDS / PROJECT GBB
		www.souriau.com	This document is the property of SOURIAU It must not be reproduced or communicated without permission
FORMAT	A2	SOURIAU DRG N° UTGX-0012A-C	SHEET 1 / 1