

H G F E D C B A

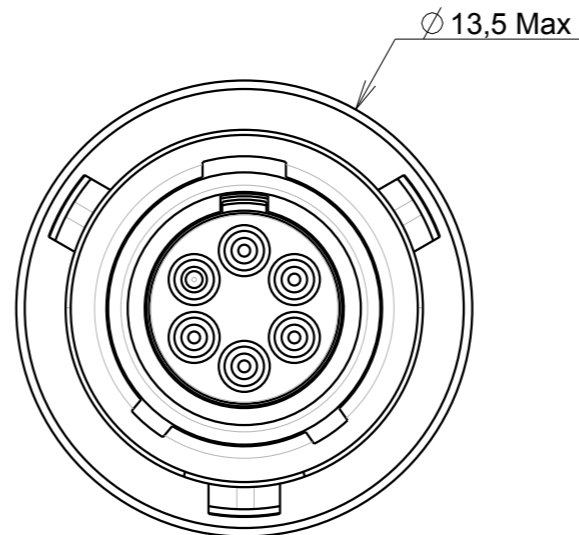
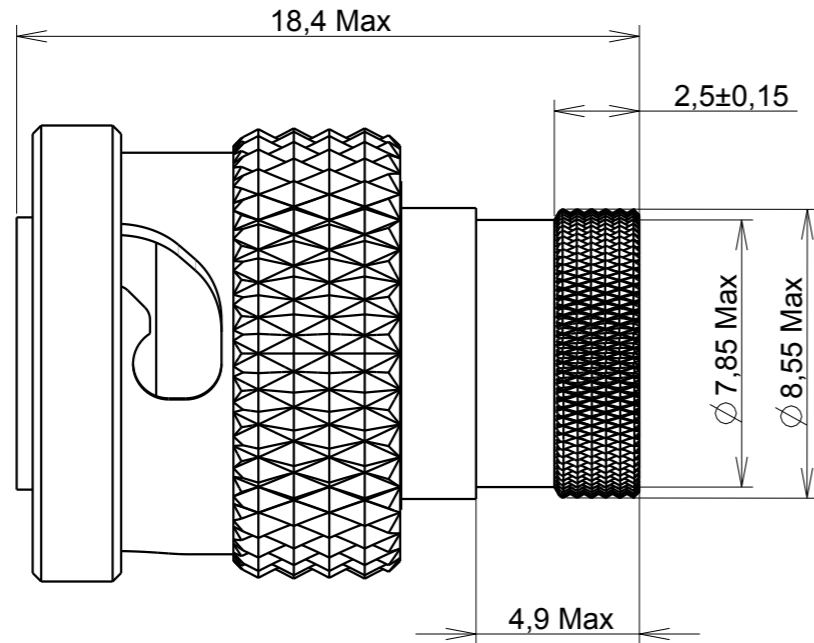
d;0;RL

4

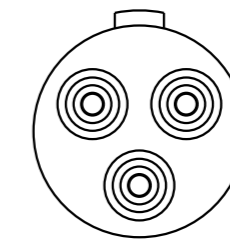
3

2

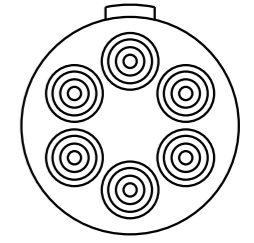
1



AVAILABLE LAYOUTS

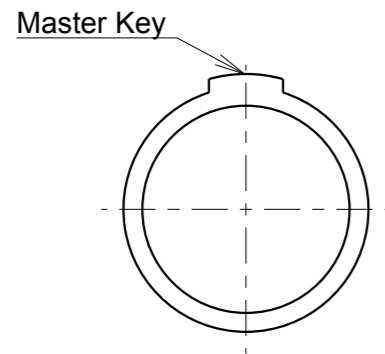


Layout 05-35
(3#22)

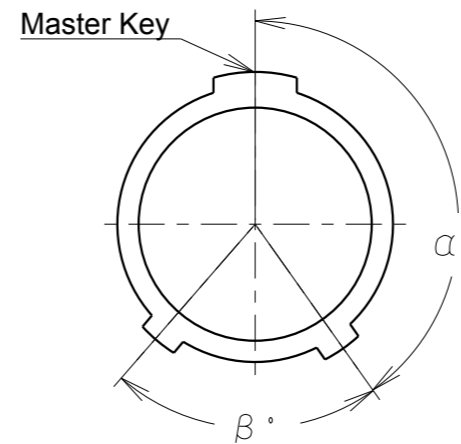


Layout 05-06
(6#26)

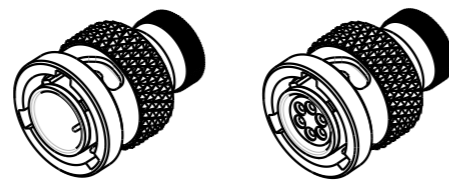
Position Universal



Position	α°	β°
N	145°	75°
A	130°	120°
B	110°	120°
C	155°	115°
D	90°	115°
E	90°	180°



P/N : SEE TABLE



PART NUMBER : 8LTA6-05F06PN

- Plug
- Connector with crimp contacts
- Shell size: 05
- Plating :

- Z : Aluminium with Black Zinc Nickel
- F : Aluminium with Nickel
- W : Aluminium with Olive Green Cadmium
- K : Passivated Stainless Steel

Orientation :
N-A-B-C-D-E-U

Contact type :
-P : Pin
-S : Socket

Contact layout :
05-06 (6 #26)
05-35 (3 #22)

d	12/09/2011	Diffusion pour dossier 8LTA INOX		21247 M
ISS	DATE	Latest modification - by:	PRIOUL. C	MOD N°
Designed by:		MILLE. C	Date: 26/06/10	CUSTOMER DRAWING
TITLE		PLUG 8LTA SERIE TYPE 6 - BOITIER 05		
Scale	3/1	NPRDS / PROJECT 8LTA		
		WWW.SOURIAU.COM		This document is the property of SOURIAU. It must not be reproduced or communicated without permission.
FORMAT	A3	SOURIAU DRG N° C011-8LTA-A		SHEET 1/1

NOT EXPORT CONTROLLED

H G F E D C B A