

H G F E D C B A

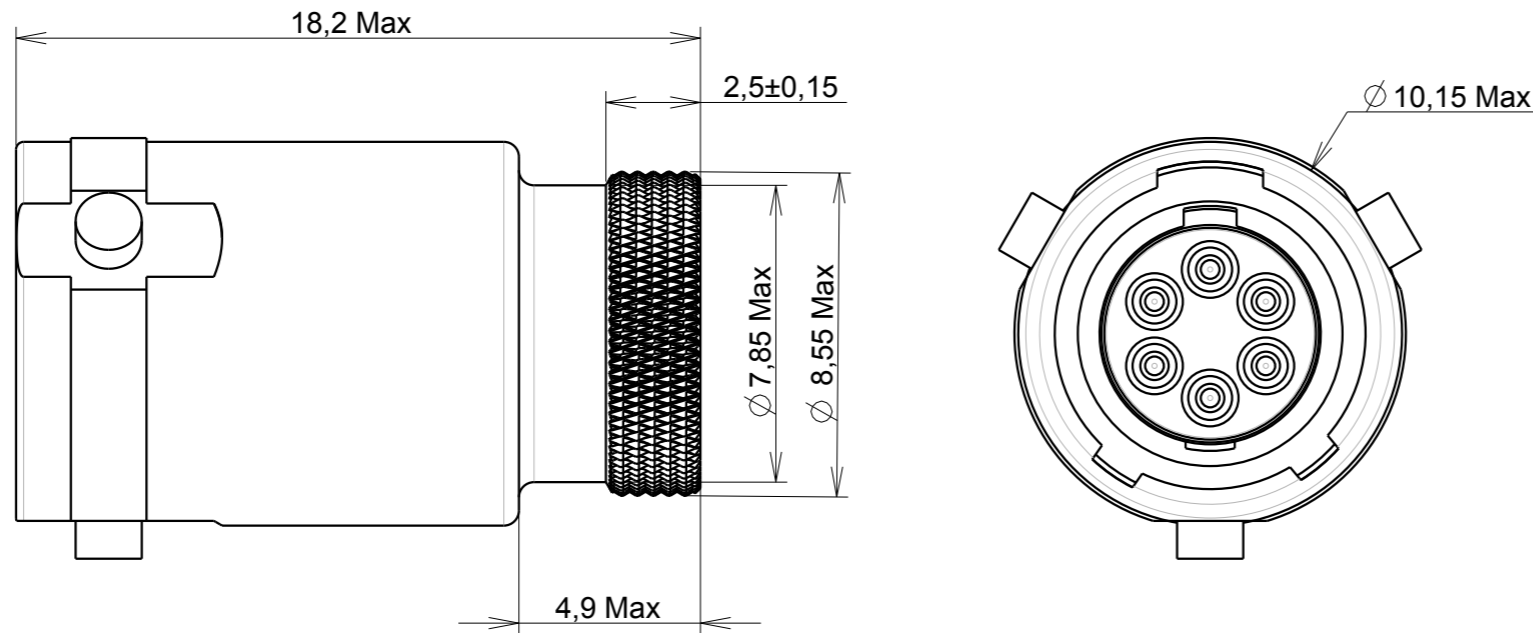
d; 0; RL

4

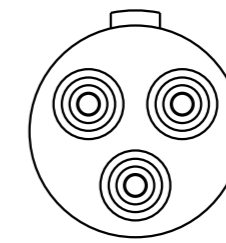
3

2

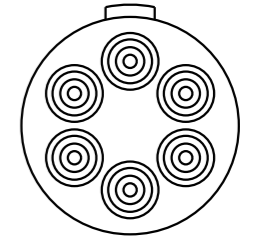
1



AVAILABLE LAYOUTS

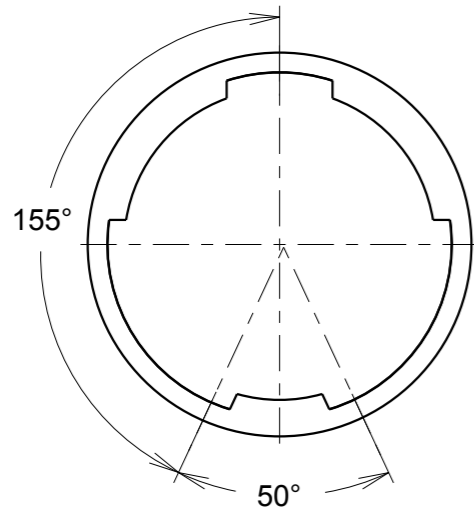


Layout 05-35 (3#22)

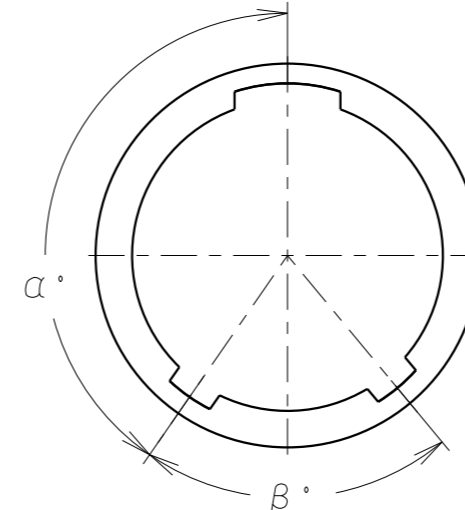


Layout 05-06 (6#26)

Position Universal



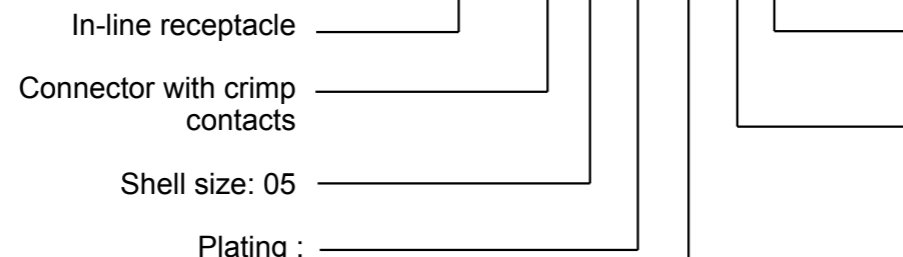
Position	$\alpha^\circ$	$\beta^\circ$
N	145°	75°
A	130°	120°
B	110°	120°
C	155°	115°
D	90°	115°
E	90°	180°



P/N : SEE TABLE



PART NUMBER : 8LTA1-05F06SN



Orientation :  
N-A-B-C-D-E-U

Contact type :  
-P : Pin  
-S : Socket

Contact layout :  
05-06 (6 #26)  
05-35 (3 #22)

Plating :  
Z : Aluminium with Black Zinc Nickel  
F : Aluminium with Nickel  
W : Aluminium with Olive Green Cadmium  
K : Passivated Stainless Steel

d	12/09/2011	Diffusion pour dossier 8LTA INOX		21247 M
ISS	DATE	Latest modification - by:	PRIOUL. C	MOD N°
Designed by:		MILLE. C	Date: 26/06/10	CUSTOMER DRAWING
TITLE		IN LINE RECEPTACLE 8LTA SERIE TYPE 1 - BOITIER 05		
Scale	3/1		NPRDS / PROJECT 8LTA	
		WWW.SOURIAU.COM		This document is the property of SOURIAU It must not be reproduced or communicated without permission
FORMAT	A3	SOURIAU DRG N° C005-8LTA-A		SHEET 1/1

NOT EXPORT CONTROLLED

H G F E D C B A