

Reference	∅ ISO	L (mm)	H1 (mm)	H2 (mm)	Clamping range min/max	Clamping dimension on the shielding braid ∅ min	Torque (Nm) on the hood	Torque (Nm) on the body	Thread A
UT0S10JCS	M16	58.5	14	17	04/6.5	04	5	6	9/16-24 UNEF Class 2A
UT0S10JCSL	M16	59.5	17	17	05/8.5	4.5	5	6	9/16-24 UNEF Class 2A
UT0S12JCS	M20	61.5	20	22	07/10.5	06	8	10	11/16-24 UNEF Class 2A
UT0S12JCSL	M20	61.5	22	22	08/12.5	08	8	10	11/16-24 UNEF Class 2A
UT0S14JCS	M20	66.5	20	22	07/10.5	06	8	10	13/16-20 UNEF Class 2A
UT0S14JCSL	M20	66.5	22	22	08/12.5	08	8	10	13/16-20 UNEF Class 2A
UT0S16JCS	M25	72.5	24	26	10/14.5	10	12	14	15/16-20 UNEF Class 2A
UT0S16JCSL	M25	82.5	30	30	13.5/18	13.5	12	14	15/16-20 UNEF Class 2A
UT0S18JCS	M25	75.5	24	26	10/14.5	10	12	14	1" 1/16-18 UNEF Class 2A
UT0S18JCSL	M25	85.5	30	30	13.5/18	13.5	12	14	1" 1/16-18 UNEF Class 2A
UT0S20JCS	M32	84	30	33	13.5/18	13.5	20	24	1" 3/16-18 UNEF Class 2A
UT0S20JCSL	M32	93	40	40	17/24	17	20	24	1" 3/16-18 UNEF Class 2A
UT0S22JCS	M32	90.0	30	33	13.5/18	13.5	20	24	1" 5/16-18 UNEF Class 2A
UT0S22JCSL	M32	99	40	40	17/24	17	20	24	1" 5/16-18 UNEF Class 2A
UT0S24JCS	M32	95.5	30	33	13.5/18	13.5	20	24	1" 7/16-18 UNEF Class 2A
UT0S24JCSL	M32	104.5	40	40	17/24	17	20	24	1" 7/16-18 UNEF Class 2A

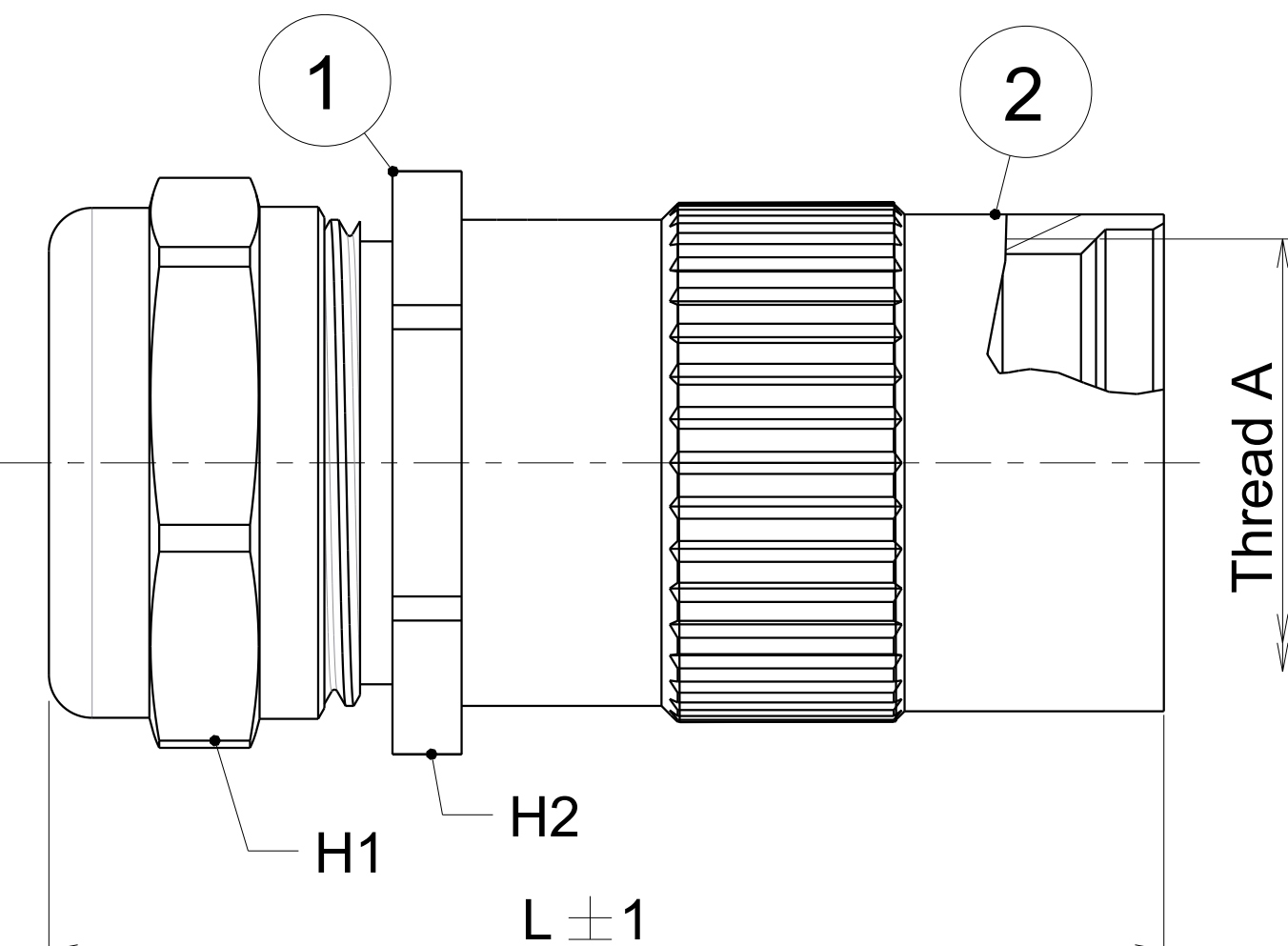
# Shielded version

## MATERIAL :

- Cable gland body : Nickel plated brass
- Cable gland seal : TPE
- Cable gland retaining claw : Sn/Cu Galvanized thermoplastic
- Cable gland O'Ring : Nitrile
- Tube : Nickel plated brass

## PERFORMANCE CHARACTERISTICS :

- Operating temperature: -40° C up to 105° C
- Corrosion salt spray: 96 hours



P/N : SEE TABLE

C	21/11/2018	Materials added	25156A
ISS	DATE	Latest modification - by: COURTOIS L.	MOD N°
Designed by: C. PROVOST		Date: 11/03/2004	CUSTOMER DRAWING
TITLE		UT0 & UT0W CONNECTOR Cable clamp with adaptor kit	
Scale	3/1	Dimensions in mm General linear Tolerances: ± --	NPRDS / PROJECT MSKI
ESTERLINE Connection Technologies		www.esterline-connection-technologies.com	
FORMAT		SOURIAU DRG N° UT0SXXJCS-C02	
A2		SHEET 1 / 1	

Country	Jurisdiction & Control List
FR	NOT LISTED

SOURIAU shall not be liable for any non-conformity or damage due to a use of the Products which does not comply with the Specifications issued by either of the Parties or by a third party (professional recommendation, technical notice.)