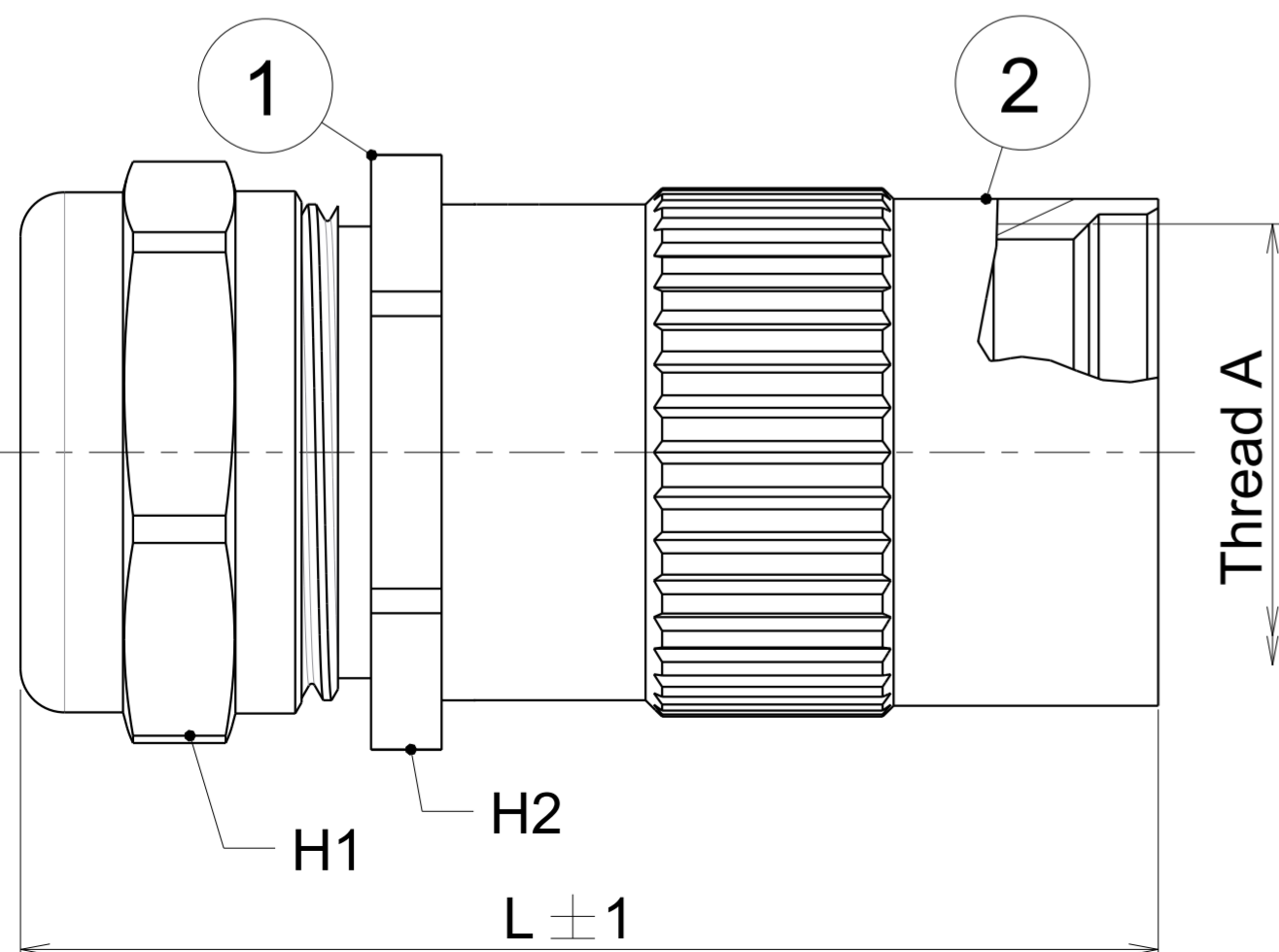


Reference	∅ ISO	L (mm)	H1 (mm)	H2 (mm)	Clamping range min/max	Clamping dimension on the shielding braid ∅ min	Torque (Nm) on the hood	Torque (Nm) on the body	Thread A
UT0S10JC	M16	70.5	14	17	04/6.5	04	5	6	9/16-24 UNEF Class 2A
UT0S10JCL	M16	71.5	17	17	05/8.5	4.5	5	6	9/16-24 UNEF Class 2A
UT0S12JC	M20	74.5	20	22	07/10.5	06	8	10	11/16-24 UNEF Class 2A
UT0S12JCL	M20	74.5	22	22	08/12.5	08	8	10	11/16-24 UNEF Class 2A
UT0S14JC	M20	80.5	20	22	07/10.5	06	8	10	13/16-20 UNEF Class 2A
UT0S14JCL	M20	80.5	22	22	08/12.5	08	8	10	13/16-20 UNEF Class 2A
UT0S16JC	M25	83.5	24	26	10/14.5	10	12	14	15/16-20 UNEF Class 2A
UT0S16JCL	M25	93.5	30	30	13.5/18	13.5	12	14	15/16-20 UNEF Class 2A
UT0S18JC	M25	86.0	24	26	10/14.5	10	12	14	1" 1/16-18 UNEF Class 2A
UT0S18JCL	M25	96.0	30	30	13.5/18	13.5	12	14	1" 1/16-18 UNEF Class 2A
UT0S20JC	M32	97.5	30	33	13.5/18	13.5	20	24	1" 3/16-18 UNEF Class 2A
UT0S20JCL	M32	106.5	40	40	17/24	17	20	24	1" 3/16-18 UNEF Class 2A
UT0S22JC	M32	101.5	30	33	13.5/18	13.5	20	24	1" 5/16-18 UNEF Class 2A
UT0S22JCL	M32	110.5	40	40	17/24	17	20	24	1" 5/16-18 UNEF Class 2A
UT0S24JC	M32	105.5	30	33	13.5/18	13.5	20	24	1" 7/16-18 UNEF Class 2A
UT0S24JCL	M32	114.5	40	40	17/24	17	20	24	1" 7/16-18 UNEF Class 2A

# Shielded version



## MATERIAL :

- Cable gland body : Nickel plated brass
- Cable gland seal : TPE
- Cable gland retaining claw : Sn/Cu Galvanized thermoplastic
- Cable gland O'Ring : Nitrile
- Tube : Nickel plated brass

## PERFORMANCE CHARACTERISTICS :

- Operating temperature: -40° C up to 105° C
- Corrosion salt spray: 96 hours

Country	Jurisdiction & Control List
FR	NOT LISTED

P/N : See table

E	20/11/2018	Materials added	25156A
ISS	DATE	Latest modification - by:	COURTOIS L. MOD N°
Designed by:		C. PROVOST	Date: 11/03/04 CUSTOMER DRAWING
TITLE		Connector UT0 & UT0W Kit cable clamp with tube	
Scale	3/1	Dimensions in mm General linear Tolerances: ± 0.2	NPRDS / PROJECT MSKI
Esterline Connection Technologies		www.esterline-connection-technologies.com	
FORMAT		SOURIAU DRG N° UT0SXXJC-C02	
A2		SHEET 1 / 1	

SOURIAU shall not be liable for any non-conformity or damage due to a use of the Products which does not comply with the Specifications issued by either of the Parties or by a third party (professional recommendation, technical notice.)