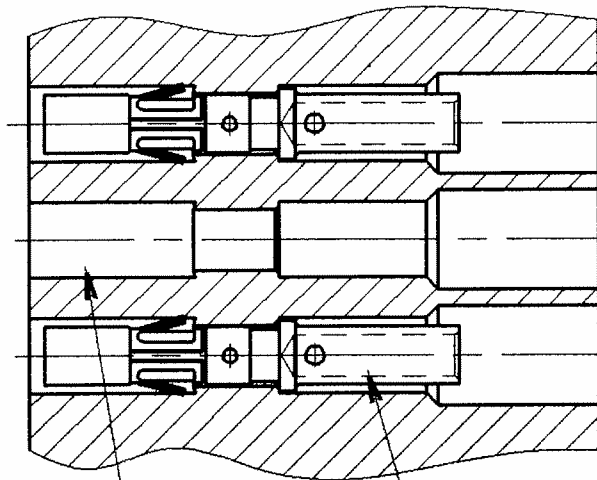
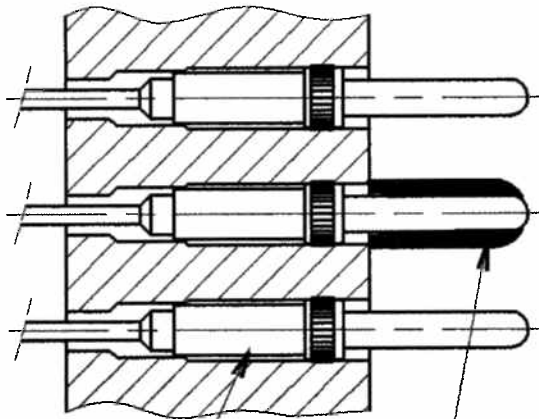


REV.	DATE	DESCRIPTION	BY	C'K'D'

**SYSTEM ASS'Y**

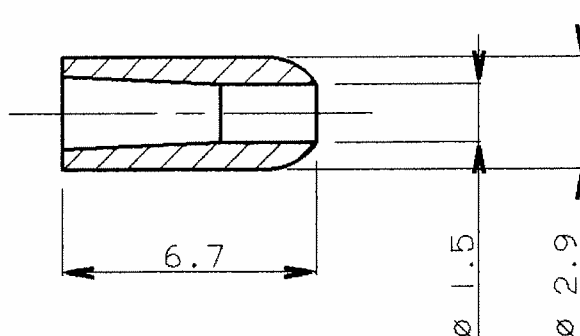


MALE CONTACT

DISCRIMINATION SLEEVE

EMPTY CAVITY

FEMALE CONTACT



**NOTES**

1. THE DISCRIMINATION SLEEVE TAKES THE FORM OF A PLASTIC "MALE CONTACT" WHICH CAN BE INSTALLED OVER MALE CONTACT.  
WHEN A MALE CONTACT IS EQUIPPED WITH A SLEEVE, THE TRIM TRIO CONNECTOR WILL ONLY MATE WHEN THE CORRESPONDING FEMALE CAVITY IS EMPTY
2. DISCRIMINATION SLEEVE IS SUITABLE FOR ALL STRAIGHT AND RIGHT ANGLE PREASSEMBLED SMS AND MSO CONNECTORS

**MATERIAL**

POLYAMIDE --- COLOUR: BLACK

GEN. ST.	01	02	03	04	05	06	07	08	0D	50	60	70	80	90																	
INT. ST.	10	11	12	13	14	18	20	31	32	33	34	38	39	40	42	43	44	45	46	48	56	70	72	73	75	76	81	82	83	84	88

1DEC ±0,2 1DEC 2DEC ±0,1 2DEC ANGLES ±1° HOEKEN	<b>APPR.</b>	<b>DATE</b>	<b>SIGN.</b>	DISCRIMINATION SLEEVE FOR 1.6 PIN DIA.
	DRAFT	28-6-91	M BUEDS	<b>CAT. No</b> SMSPKB2
WE RESERVE THE RIGHT TO CHANGE DIMENSIONS OR REQUIREMENTS WITHOUT PRIOR NOTICE.	PROD. MGR.			SOURIAU Route Nationale 23 72470 CHAMPAGNE
	PR.ENG.MGR.			
	PR.MGT.MGR.			
ALL DIMENSIONS IN MM  ALLE AFMETINGEN IN MM	<b>REFERENCES / REFERENTIES</b>			SCALE BS, A , 201283,001,00 DRAWING NR. CUSTOMER DRAWING

DIT IS ONZE EIGENDOM EN MAG NOCH NAGEMAAKT, HERDRIJKT, OVERGEMAAKT AAN DEREN, NOCH VOOR FABRIKATIE GEBRUIKT WORDEN, ZONDER ONZE SCHRIFTELIJKE TOELATING. BIJ NIET GEBRUIK IS DE TERUGZENDING VERPLICHT.

THIS IS OUR EXCLUSIVE PROPERTY. IT IS NOT TO BE COPIED, REPRINTED OR DISCLOSED TO A THIRD PARTY, NOR USED FOR MANUFACTURING WITHOUT OUR WRITTEN CONSENT, AND HAS TO BE RETURNED TO US IN CASE OF NO USAGE.