

FEMALE CONTACTS (AWG 20)

SOURIAU

THREADING
M12 x 1,5
NORMAL GROUP
CLASS 6g

PANEL O'RING

PANEL CUT OUT

COUPE A-A

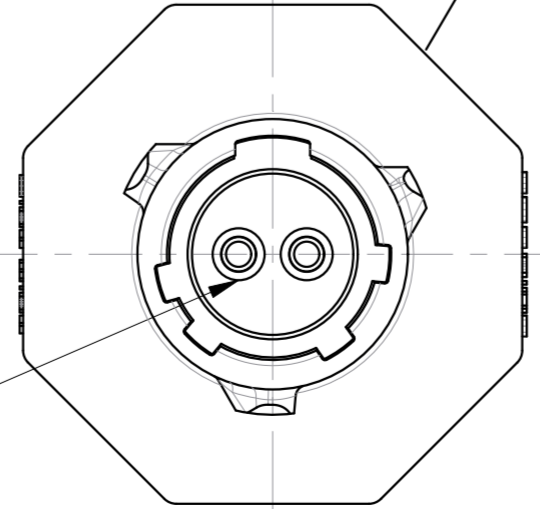
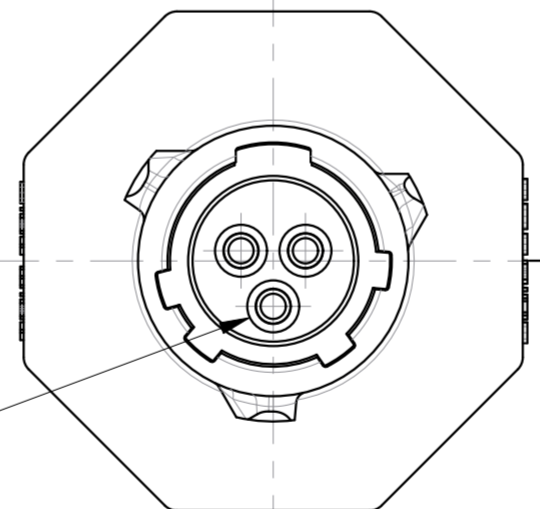
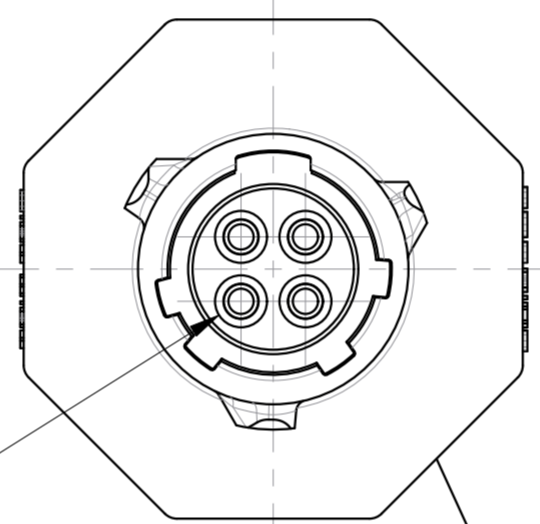
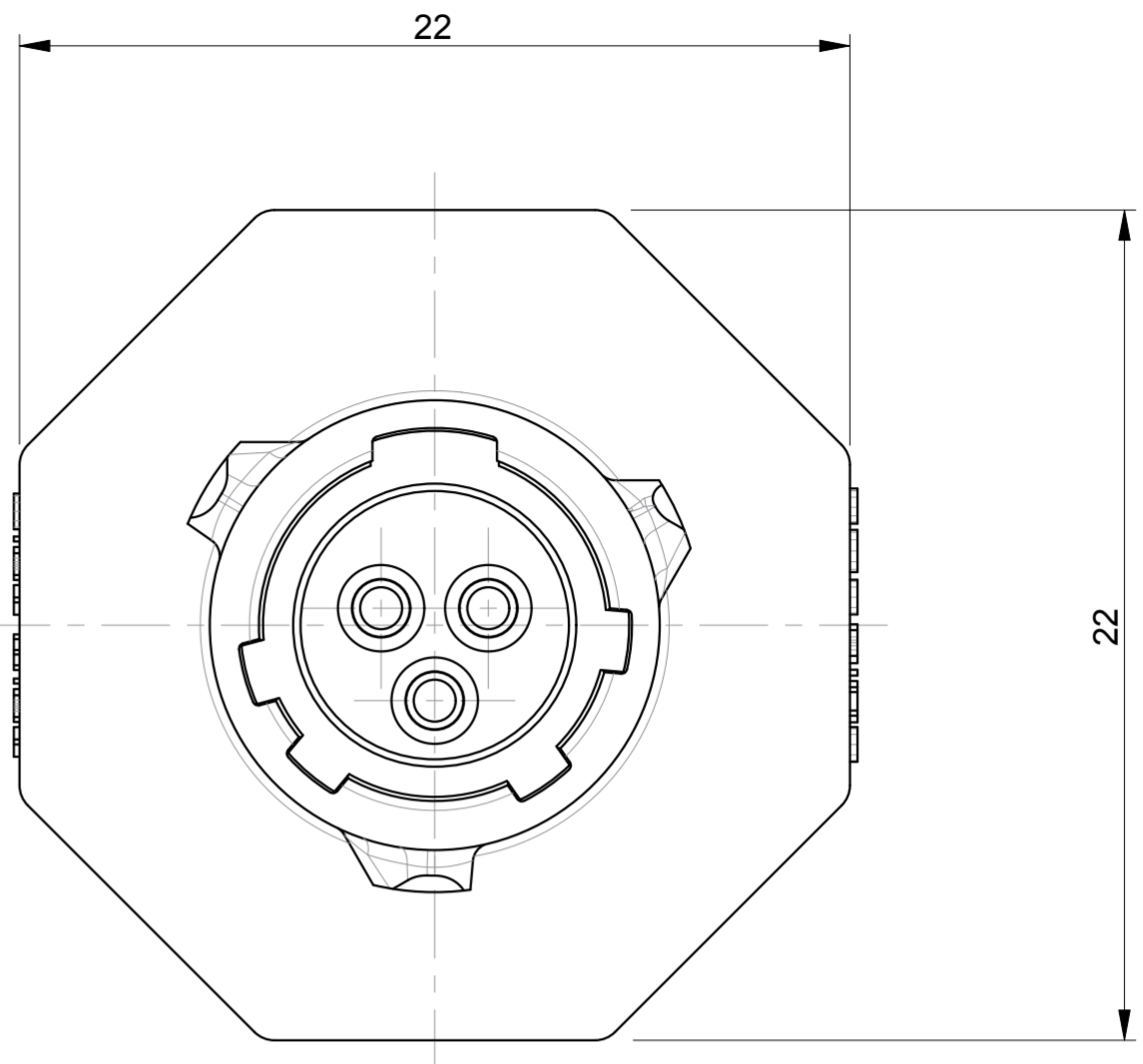
M12 x 1,5

SCALE 3/1

LAYOUT 8-4

LAYOUT 8-3

LAYOUT 8-2



PART NUMBER
UTS78E4SM12
UTS78E3SM12
UTS78E2SM12

Country	Jurisdiction & Control List
FR	NOT LISTED

P/N : UTS78E*SM12

E	16/10/201	Add UTS78E2SM12		
ISS	DATE	Latest modification - by:	ROUILLARD Ch	MOD N°
Designed by:		R.CHABIRAN	Date: 08/07/13	CUSTOMER DRAWING
TITLE		UTS HI-SEAL CONNECTOR SIZE 8 WITH HEXAGONAL FLANGE AND A M12 THREADING IN THE BACK		
Scale	5/1	Dimensions in mm General linear Tolerances: ± 0.2	NPRDS / PROJECT UTS1	
SOURIAU Connection Technologies		www.souriau.com	This document is the property of SOURIAU It must not be reproduced or communicated without permission	
FORMAT	A2	SOURIAU DRG N° C230-UTS1-A		SHEET 1/1

SOURIAU shall not be liable for any non-conformity or damage due to a use of the Products which does not comply with the Specifications issued by either of the Parties or by a third party (professional recommendation, technical notice.)