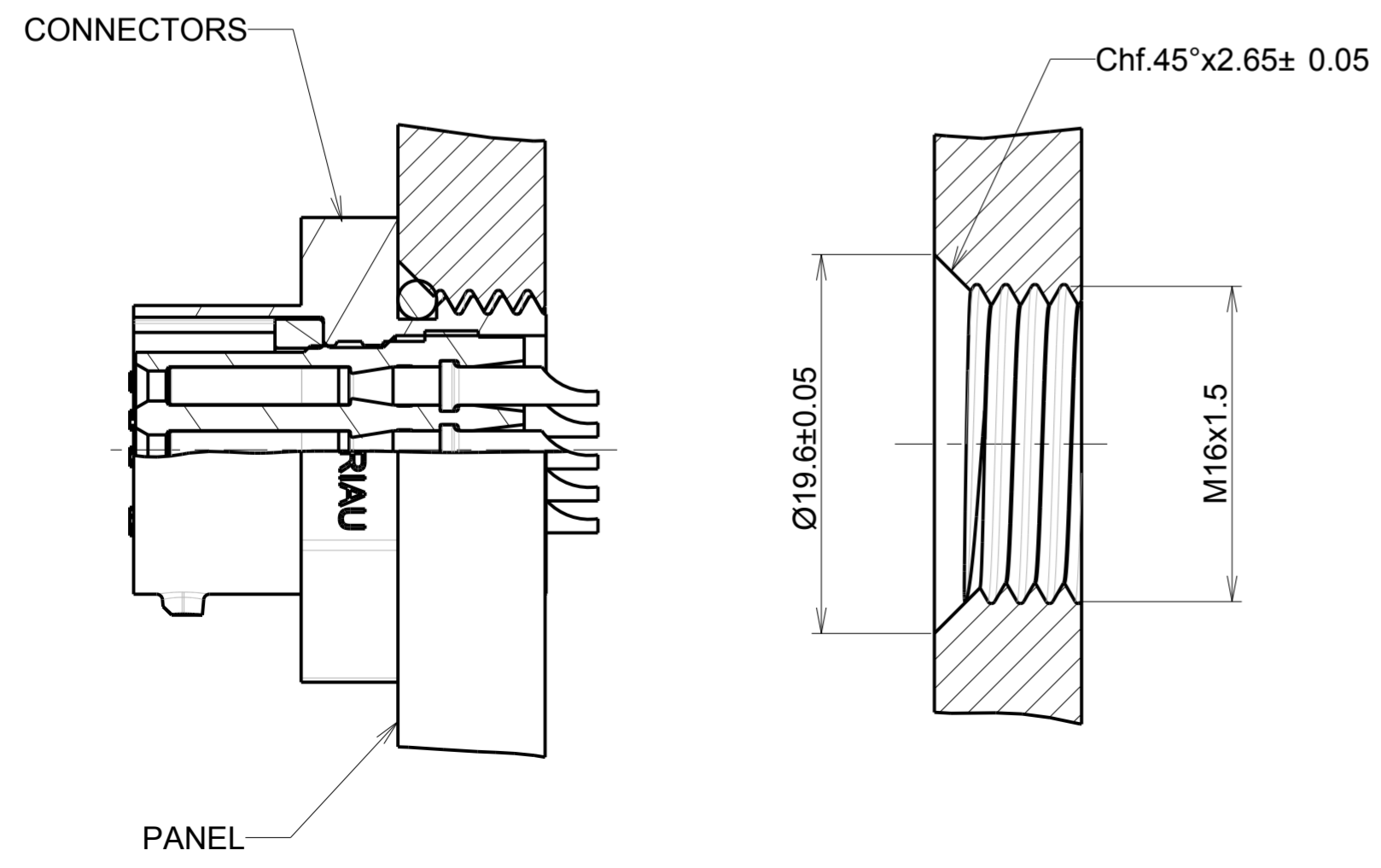


PANEL CUT-OUT



MATERIAL :

Shell: Polyamid UL94 V-0 black color
 Insert: Polychloroprene (CR)
 Seal gasket : Sealing IP68/69K : Silicone
 O'seal : NBR
 Contact: brass + gold plated

PERFORMANCE CHARACTERISTICS :

Operating temperature: -40°C up to 105°C
 Insulation resistance: 5000 MΩ min
 Test potential: 1500Vrms for #20 layout
 Corrosion salt spray: 500 hours
 Durability: 250 matings and unmatings
 Sealing in mated and unmated conditions:
 -IP68 1 bar during 1 week : immersion under 10 m of water. (IEC 60529)
 -IP69K : exposure to high pressure water of cleaning equipement(DIN 40050)

NOTE:

Insert arrangements : refer to C144-UTS1-A

P/N : UTS710E7SM16

| | | | | |
|-------------------------|----------|---|---------------------------|-----------|
| g | 19/09/13 | Refonte du plan et ajout de la notification pour consultation des arrangements | | 22309B |
| ISS | DATE | Latest modification - by: LANDAIS.P | | MOD N° |
| Designed by: SOR/W.V | | Date: 24/10/11 | CUSTOMER DRAWING | |
| TITLE | | RECEPTACLE WITH A HEXAGON FLANGE AND AN M16 THREAD ON THE TERMINAISON SIDE - SIZE 10 - UTS HI-SEAL | | |
| Scale | ~17/3 | General linear Tolerances: ± 0.5 | NPRDS / PROJECT IC114206A | |
| SOURIAU WWW.SOURIAU.COM | | This document is the property of SOURIAU It must not be reproduced or communicated without permission | | |
| FORMAT | A2 | SOURIAU DRG N° C160-UTS1-A | | SHEET 1/1 |