

THIS DRAWING IS A CONTROLLED DOCUMENT FOR SOURIAU USA, INC. IT IS SUBJECT TO CHANGE WITHOUT NOTIFICATION. CONTACT THE DOCUMENT CONTROL CENTER FOR THE LATEST REVISION.

DWG. NO. **JBXPCOC**

C

B

THE INFORMATION CONTAINED IN THIS DRAWING IS CONFIDENTIAL AND MAY NOT BE DISCLOSED WITHOUT WRITTEN CONSENT FROM SOURIAU USA, INC.

4

ELECTRICAL:

EMI SHIELDING : SHIELDED FOR THE RANGE 55dB UP TO 100MHZ
 INSULATION RESISTANCE : >500MΩ PER ANSI-EIA-364-D METHOD 21
 MAX. CURRENT RATING : SEE INSULATOR DRAWING
 CONNECTOR TESTING VOLTAGE : SEE INSULATOR DRAWING
 CONNECTOR WORKING VOLTAGE : SEE INSULATOR DRAWING

PHYSICAL:

MAXIMUM WIRE SIZE USED : SEE INSULATOR DRAWING
 CABLE DIAMETER WITH PLASTIC COLLET SET SUPPLIED: Ø1.5mm MIN. TO Ø5.5mm MAX.

ENVIRONMENTAL:

ENDURANCE: 1000 CYCLES AS PER MIL-STD 1344A, METHOD 2016.1
 SHOCK: 50 g , DURATION 6 ms; AS PER MIL-STD 1344A, METHOD 2004.1
 VIBRATIONS: 10 TO 2000Hz g = 15g. AS PER MIL-STD 1344A, METHOD 2005.1
 PROTECTION INDEX: IP 40 AS PER CEI 529
 ROHS COMPLIANT
 SALT MIST : 48Hr PER SAE AS 1344 METHOD 1001.1 CEI 529
OPERATING TEMPERATURE:
 WITH PLASTIC COLLETS: -55°C TO +125°C (-67°F TO +257°F)
 WITH OPTIONAL METALLIC COLLETS: -55°C TO +200°C (-67°F TO +392°F) (ONLY ON REQUEST)

3

2

1

MASS (g)	VOLUME (mm ³)
11.0	1695

NOTES:

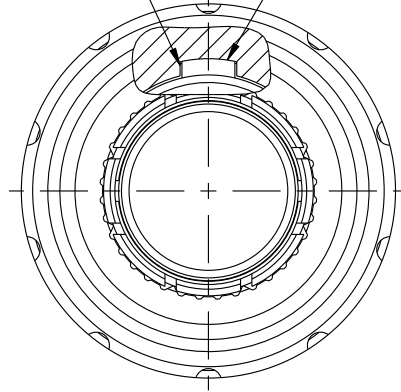
1 ▷ RED DOT.

MATERIAL:

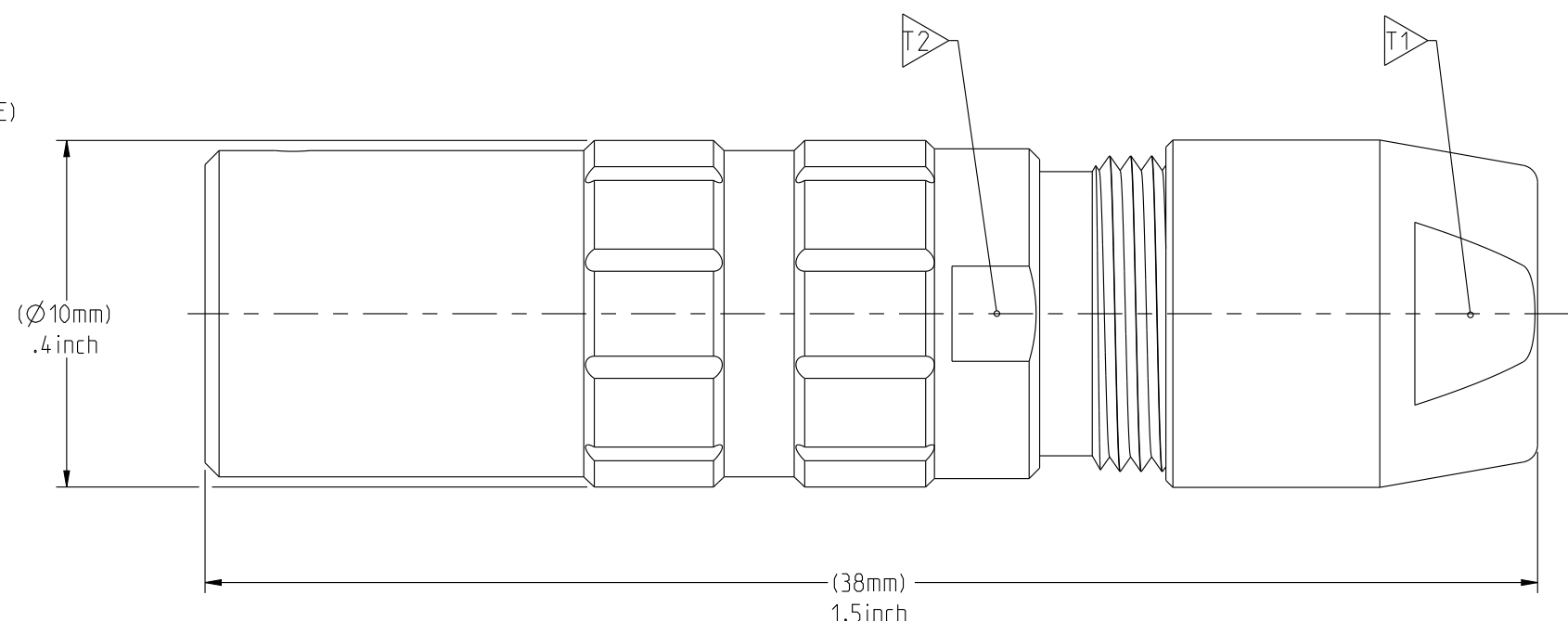
OUTER SHELL & BACK NUT : } BRASS
 SHIELD RING : }
 HALF BUSHES : }
 COLLET : POLYAMIDE
FINISH:
 OUTER SHELL & BACK NUT : CHROME
 OTHER BRASS PARTS : NICKEL

T ▷ TOOLS

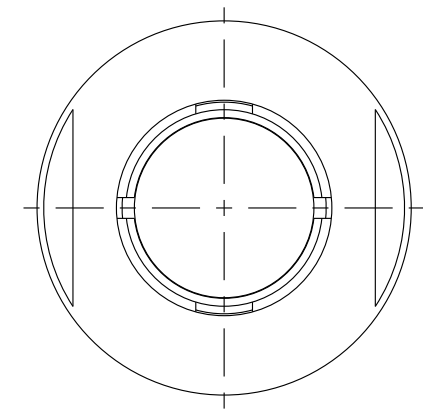
RECEPTACLE SHELL GROOVE (ALIGNED WITH RED DOT)
 HALF BUSH KEY (ALIGN WITH SHELL GROOVE)



MATING SIDE VIEW

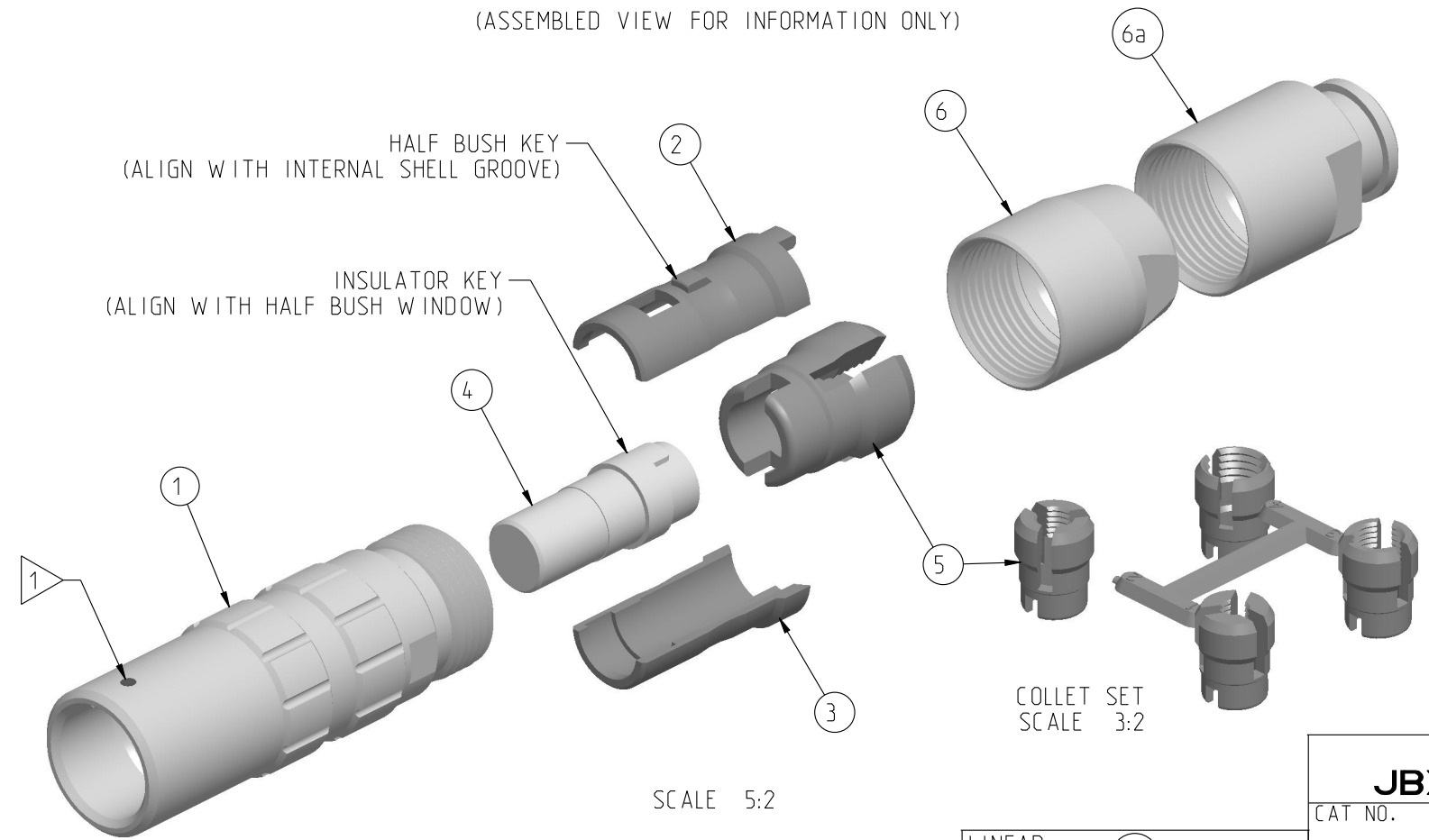


(ASSEMBLED VIEW FOR INFORMATION ONLY)



WIRE SIDE VIEW

PART LIST	
ITEM NO.	DESCRIPTION
1	RECEPTACLE SHELL
2	HALF BUSHING WITH WINDOW
3	HALF BUSHING WITHOUT WINDOW
4	INSULATOR
5	Ø1.5-Ø5.5 CABLE COLLET (CHOOSE PER CABLE SIZE)
6	STANDARD BACK NUT
6a	BACK NUT FOR PROTECTIVE BOOT (OPTIONAL)



SCALE 5:2

	TOOLS (JAW DIMENSION)	ADVISED TORQUE IN Nm
T1	8	0.8
T2	9	-

CATALOG NUMBER DESCRIPTION

JBX PC 0 XXXXX DXX

BASIC SERIES _____
SHELL TYPE _____
SHELL SIZE _____
KEYING _____
SEE INSULATOR DRAWING _____

OPTION _____
INSERT MATERIAL _____
COLLET OPTION _____
SURFACE PLATING _____

LINEAR MEASURE: $\frac{mm}{INCH}$ mm (INCH)	
THIRD ANGLE PROJECTION	
TOLERANCES UNLESS OTHERWISE SPECIFIED	
No. OF PLACES	mm [INCH]
WHOLE No.	±0.5 [±.02]
ONE PLACE	±0.2 [±.008]
TWO PLACES	±0.1 [±.004]
ANGLES ±1°	

ORIGIN	COUNTRY	JURISDICTION	CLASSIFICATION
X	FR	Not listed	N/A
	US	EAR	ECCN =EAR99

A	RELEASED PER ECN 12258	SKV 06-10-15	EV 06-10-15
REV	DESCRIPTION	BY DATE	CHKD DATE

DRAWING TITLE
JBX, SIZE 0, CABLE MOUNTED RECEPTACLE

CAT NO. **JBXPCO**

CAGE NO: 09922 SIZE: C

CUSTOMER

SOURIAU
 www.souriau.com

APPROVAL
 DRAWN: SKV 01-08-15
 CHKD: EV 01-08-15
 DSGN: EV 01-08-15
 MFG: DH 01-08-15
 QC: BB 01-08-15

DRAWING SCALE: 4:1
 DRAWING NO. **JBXPCOC** REV **A**

INTERPRET THIS DRAWING IN ACCORDANCE WITH ASME Y14.5M - 1994.

1 OF 1

4

3

2

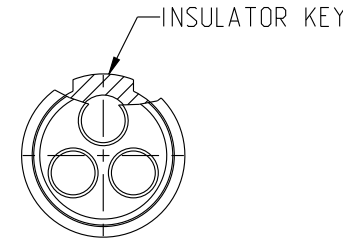
1

PRO-E

DWG. NO.
JBX0INSFSC

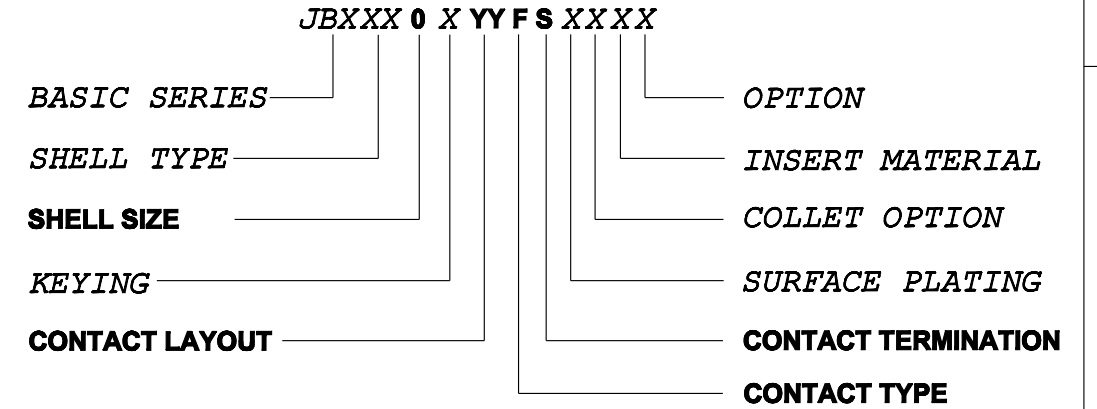
FEMALE INSULATOR, SOLDER CONTACT

CONTACT LAYOUT	02	03	04
FRONT SIDE VIEW			
REAR SIDE VIEW			
CONTACT			
ISO VIEW			
CONTACT	ØC	0.9	0.7
	ØF	0.8	0.81
	MAX. AWG	24	22
	MAX. CURRENT RATING (A)	10	7
INSULATOR	CONTACT RESISTANCE (mΩ)	3.5	5
	NUMBER OF CAVITY	2	4
	MAX. CURRENT RATING	10	7
	TEST VOLTAGE (Vrms)	1400	1350
WORKING VOLTAGE (Vdc/Vrms)	660/460	600/420	660/460



CONTACT TYPE : F (FEMALE)
CONTACT TERMINATION : S (SOLDER)
MATERIAL :
 CONTACT: CUPRO-NICKEL
 CLIP: COPPER ALLOY
 INSULATOR: PEEK
FINISH :
 CONTACTS : GOLD

CATALOG NUMBER DESCRIPTION



B	REVISED PER ECN 12286	RSK 06-10-15	EV 06-10-15
A	RELEASED PER ECN 12264	TJS 03-10-15	EV 03-10-15
REV	DESCRIPTION	BY DATE	CHKD DATE

DRAWING TITLE
JBX, SIZE O, FEMALE INSULATOR, SOLDER CONTACT

CAT NO. **JBX0INSFSC**

CAGE NO: 09922 SIZE: B

CUSTOMER	SOURIAU	APPROVAL	DRAWN: TJS	02-04-15
			CHKD : EV	02-04-15
INTERPRET THIS DRAWING IN ACCORDANCE WITH ASME Y14.5M - 1994.	WWW.SOURIAU.COM		DSGN : EV	02-04-15
			MFG : DH	02-04-15
			QC : BB	02-04-15
			DRAWING SCALE: NA	
			DRAWING NO.	REV
			JBX0INSFSC	B
			1 OF 2	

ORIGIN	COUNTRY	JURISDICTION	CLASSIFICATION
X	FR	Not listed	N/A
	US	EAR	ECCN =EAR99

These commodities, technology or software are exported from the United States in accordance with the Export Administration Regulations. Diversion contrary to U.S. law is prohibited

LINEAR MEASURE: $\frac{mm}{INCH}$ mm (INCH)
 THIRD ANGLE PROJECTION

 TOLERANCES UNLESS OTHERWISE SPECIFIED
 No. OF PLACES mm [INCH]
 ONE PLACE ±3 [±.1]
 TWO PLACES ±0.5 [±.02]
 THREE PLACES ±0.25 [±.010]
 ANGLES ±1°

THIS DRAWING IS A CONTROLLED DOCUMENT FOR SOURIAU USA, INC. IT IS SUBJECT TO CHANGE WITHOUT NOTIFICATION. CONTACT THE DOCUMENT CONTROL CENTER FOR THE LATEST REVISION.

THE INFORMATION CONTAINED IN THIS DRAWING IS CONFIDENTIAL AND MAY NOT BE DISCLOSED WITHOUT WRITTEN CONSENT FROM SOURIAU USA, INC.

DWG. NO.
JBXOINSFSC

CONTACT LAYOUT	05	06	07	08
FRONT SIDE VIEW				
REAR SIDE VIEW				
CONTACT				
ISO VIEW				

	CONTACT				
	05	06	07	08	
ØC	0.7	0.5	0.5	0.5	
ØF	0.81	0.5	0.5	0.5	
MAX. AWG	22	28	28	28	
MAX. CURRENT RATING (A)	7	5	5	5	
CONTACT RESISTANCE (mΩ)	5	10	10	10	
NUMBER OF CAVITY	5	6	7	8	
INSULATOR	MAX. CURRENT RATING	6.5	2.5	2	
	TEST VOLTAGE (Vrms)	800	680	680	
	WORKING VOLTAGE (Vdc/Vrms)	400/260	320/220	320/220	190/130

THIS DRAWING IS A CONTROLLED DOCUMENT FOR SOURIAU USA, INC. IT IS SUBJECT TO CHANGE WITHOUT NOTIFICATION. CONTACT THE DOCUMENT CONTROL CENTER FOR THE LATEST REVISION.

THE INFORMATION CONTAINED IN THIS DRAWING IS CONFIDENTIAL AND MAY NOT BE DISCLOSED WITHOUT WRITTEN CONSENT FROM SOURIAU USA, INC.

B

A

DRAWING TITLE
JBX, SIZE O, FEMALE INSULATOR, SOLDER CONTACT

CAT NO. **JBXOINSFS**

CAGE NO: 09922 SIZE: B

CUSTOMER	SOURIAU	APPROVAL	DRAWN: TJS 02-04-15
			CHKD : EV 02-04-15
			DSGN : EV 02-04-15
			MFG : DH 02-04-15
			QC : BB 02-04-15
WWW.SOURIAU.COM		DRAWING SCALE: NA	
		DRAWING NO. REV	
2 OF 2		JBXOINSFSC B	
		PRO-E	

INTERPRET THIS DRAWING IN ACCORDANCE WITH ASME Y14.5M - 1994.

LINEAR MEASURE: $\frac{mm}{INCH}$ mm (INCH)

THIRD ANGLE PROJECTION

TOLERANCES UNLESS OTHERWISE SPECIFIED

No. OF PLACES	mm [INCH]
ONE PLACE	±3 [±.1]
TWO PLACES	±0.5 [±.02]
THREE PLACES	±0.25 [±.010]

ANGLES ±1°

ORIGIN	COUNTRY	JURISDICTION	CLASSIFICATION
X	FR	Not listed	N/A
	US	EAR	ECCN =EAR99

These commodities, technology or software are exported from the United States in accordance with the Export Administration Regulations. Diversion contrary to U.S. law is prohibited